

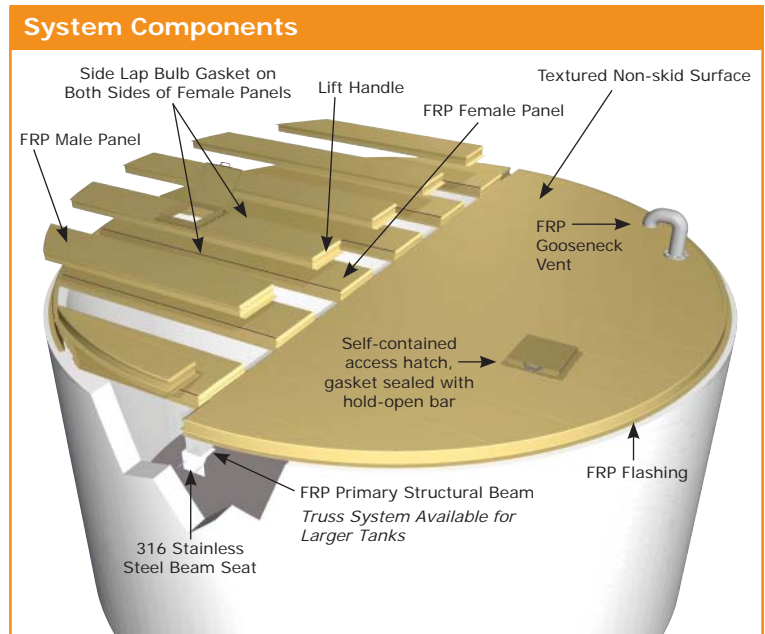
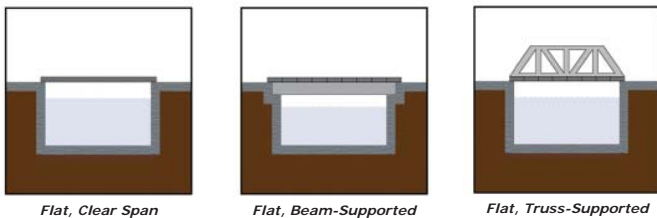
XL6 Tank Cover System

System Overview

Designed with the needs of plant operators and installing contractors in mind, the features and benefits of the XL6 tank cover system are numerous and include effective odor control, easy-to-remove sections, long-span deck panels offering foot traffic safety, plus low profile advantage.

The XL6 flexible design is suitable for large rectangular or round basins and can be top-mounted on or flush with tank walls.

Configurations available for the XL6 tank cover:



Key XL6 Features & Benefits



Gaskets at outer edges & panel joints control odors.



Interlocking XL6 panels are easy to remove & lift vertically.



Shop-fabricated panels include notched openings & self-contained access hatches.

➤ Best Odor Control

XL6 cover systems are effectively sealed with gaskets located at all outer edges, panel side laps and access hatches.

➤ Complete Removability & Accessibility

Able to be handled by two workers without lifting equipment, each XL6 male panel can be removed individually after removing only four nuts, and each XL6 female panel can be freely lifted after removing its two adjacent male panels. In addition, XL6 access hatches are self-contained within one panel, allowing panel removal without affecting adjacent panels.

➤ Long Span Capability

The XL6 system clears spans up to 20'. For longer span requirements, FRP beams and columns or steel truss members are utilized to support XL6 deck panels.

➤ Easy, Low-cost Installation

Factory-fabricated deck panels are simply laid in place and require only half of the cover panels to be fastened to supports.

➤ Corrosion Resistant

➤ High Strength

➤ Lightweight

➤ UV Protection

➤ Turn Key Solutions

➤ Customized System

➤ Non-skid Surface

➤ Low Profile

XL6 Tank Cover System

Applications

- Headworks & Grit Covers
- Clarifiers
- Aeration & Equalization
- Sedimentation
- Sludge & Gravity Thickeners
- Chlorine Contact Basins
- Filtrate Storage Tanks
- Chemical Process Tanks



*XL6 truss-supported tank cover system with FRP access hatches and safety grating
88' Diameter Gravity Thickener*



*XL6 clear span tank cover with access hatches & vents
40' Diameter Sludge Thickener Cover*



*XL6 beam-supported tank cover system
50' Diameter Clarifier*



*XL6 clear span tank cover system with angle cut panels and
access hatches over filtrate storage tanks*



*XL6 clear span tank cover system with access hatches
UV Disinfection Process*



*XL6 beam-supported cover - DAF cells. Cover panels can
be handled by 2 workers alone.*



*XL6 clear span cover - Chemical Treatment Tank
Self-contained hatches permit easy panel removal.*



*XL6 beam supported covers with access hatches
53' x 60' Pre-treatment Tank Complex*

XL6 Tank Cover System

Load Span Table

Maximum Allowable Load - Safety Factor = 2.5

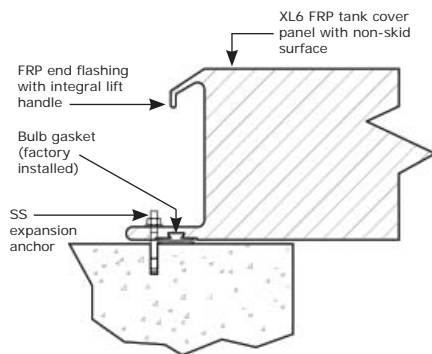
Span	Uniform Live or Snow		Concentrated Load*
	L/D = 120	L/D = 180	L/D = 180
20 ft.	32 psf	26 psf	778 lbs.
18 ft.	39 psf	36 psf	887 lbs.
16 ft.	50 psf	50 psf	998 lbs.
14 ft.	65 psf	65 psf	1141 lbs.
12 ft.	89 psf	89 psf	1331 lbs.

Concentrated load distributed over 1' x 2' area.

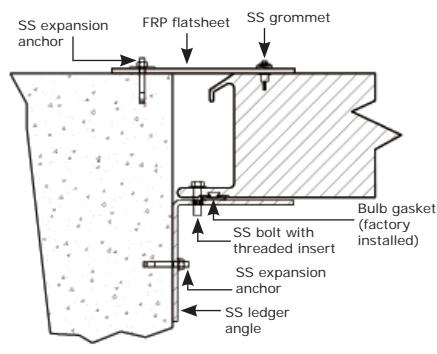


XL6 strength demonstration: Under a uniform load of 30 psf, deflection on a 20' span is L/180.

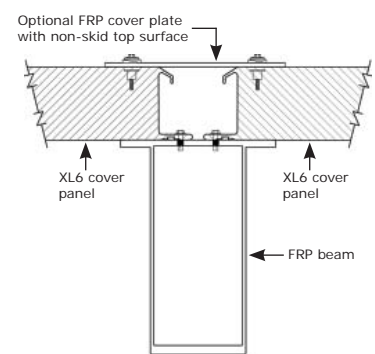
Typical Details



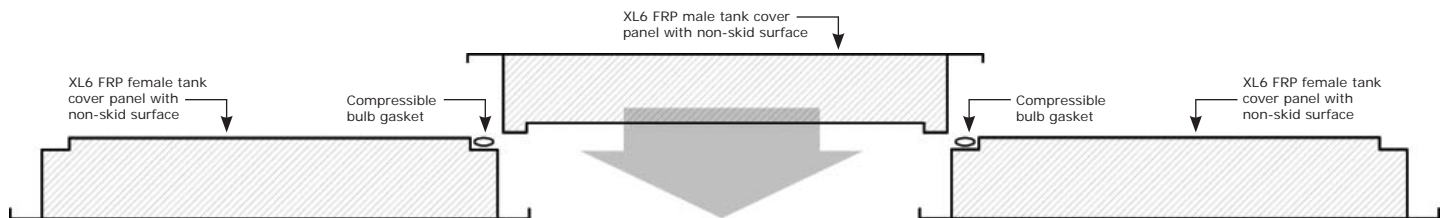
Concrete Wall



Flush Concrete Wall

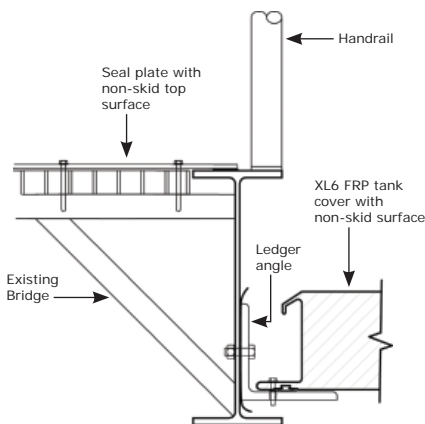


End to End

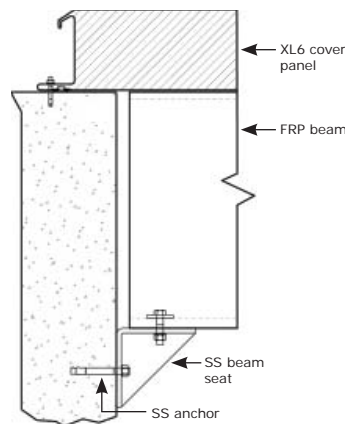


XL6 panel cover width = 30"

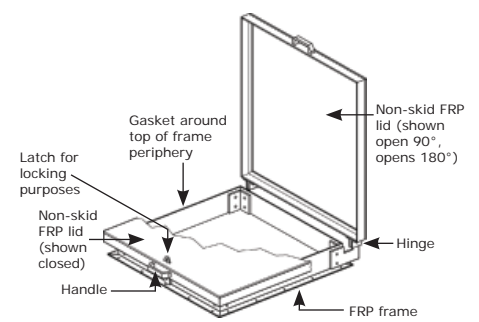
System



Steel Bridge



Beam-supported



Hatch