

Installation Guide: Tuff Span 8F6 Cavity Beams

Manufacturer's Assistance

These instructions are intended for Tuff Span 8F6 FRP Beams. For further assistance, please contact:

Enduro

16602 Central Green Blvd.
Houston, Texas 77032

Tel: 713-358-4000
Fax: 713-358-4100
sales@endurocomposites.com

Material Handling and Storage

1. Inspect materials upon delivery. If damage is found, promptly advise both freight carrier and Enduro. Note damage on carrier's receiving ticket.
2. When lifting materials, use spreader bars. Do not use wire slings unless panels are protected.
3. Protect materials from surface cuts, impacts, and abrasions.
4. **FRP materials cannot be reshaped by use of external force such as hammering or extreme bending.**
5. To cut materials, use a circular saw with an abrasive or fine-toothed blade.
6. While in storage, keep materials covered and off the ground high enough to allow for air circulation and to be above standing water. Elevate one end of the crated beams for water drainage.
7. Do not stack or store other materials on top of unprotected units. Make sure products are supported so that they cannot twist or distort.

Beam Installation

1. Field verify layout of beams and dimensions.
2. Clean bearing surface for beams and remove any projections.
3. Place beams on supporting structure and adjust to final position with proper bearing and alignment before fastening.

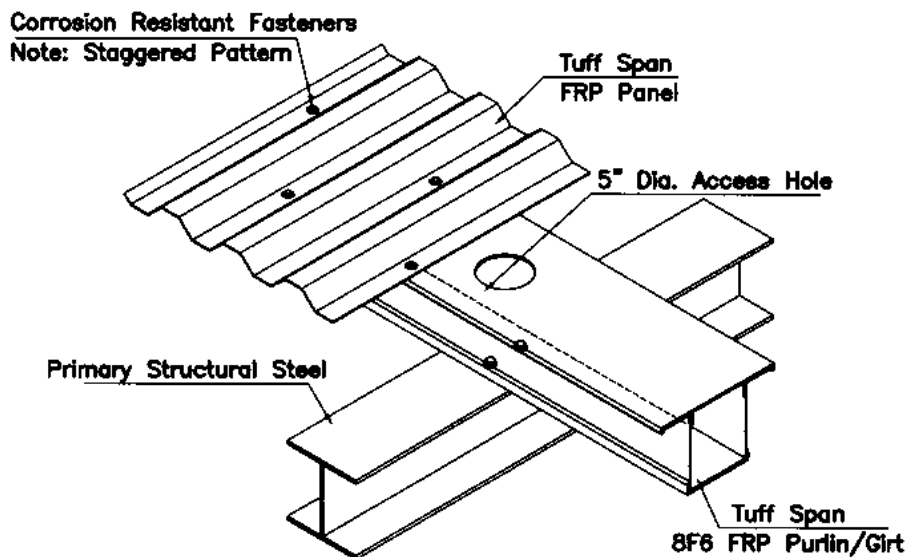
4. If not done by manufacturer, cut 5 inch diameter access holes in beam (as needed) at fastener locations for attachment to support. *Access holes must be cut in the top flange of the beam only. Cutting holes in the web of the beam will damage the beam.* If access hole will be covered by panels, and not exposed to weather or liquid splash, it is not necessary to cover the hole.
- 5a. Mark and drill pilot holes for bolts for attachment of FRP beam to support. Using a sharp carbide-tipped sheeter's bit and speed of 500 RPM or less, drill fastener holes through beam and support. Fastener holes should just clear the screw threads and be at least 1-1/2 inches from the edge of the unit.
- b. If specified, seal all holes in beam before installing fasteners.
6. Install beams with recommended fasteners. Refer to erection drawings for fastener type and spacing.

Fasteners for Anchoring Beams

1. Fasteners are available in 300 and 316 stainless steel and monel. These metals are softer than carbon steel metals, so more care must be taken during their installation.
2. When fastening Tuff Span beams to other FRP beams, thru-bolts or other "positive lock" fasteners must be used. Screws are not acceptable. Contact Enduro for specific instructions.
3. For fastening Tuff Span panels or roof deck to Tuff Span beams, Type A or #12XS stainless steel screws may be used. Contact Enduro for Tuff Span Panel Installation Guide.

Cleaning and Repair

1. Clean material with soap and water first. If this does not work, some solvents can be used to clean spills or stains on Tuff Span. However, solvents should be used sparingly and only if necessary.
2. Minor damage to FRP materials can be patched with a Tuff Span repair kit. Materials with other damage should be replaced.



Contact Enduro for complete dimensioned details, specific fastener types, sizes, and locations. For Tuff Span Beam installation, complete erection drawings from Enduro are recommended. Information on the erection drawings supercede information in this Installation Guide.